

Swing Pipe Tubing and Fittings

Swing Pipe - SP and SPX Series

For use in conjunction with Spiral Barb Fittings as a flexible swing joint assembly.

Features

- Available in 100' (30 m) coils and 20' (6 m) lengths
- Linear low-density polyethylene material
- Available in new kink-resistant extra flexible version (SPX-100)
- Color: black

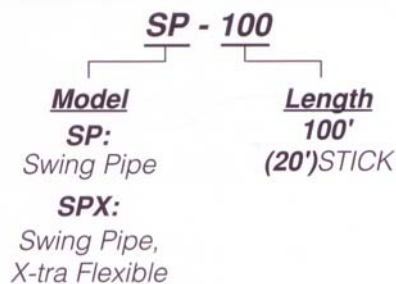
Specifications

- Nominal inside diameter: .490" (12.4 mm)
- Minimum wall thickness:
 - .085" (2.2 mm) (SP-100)
 - .098" (2.5 mm) (SPX-100)
- Operating rating of up to 80 psi (5,5 Bars), and 110°F (43°C)

Models

- SP-20STICK: 20' (6 m) length
- SP- 100: 100' (30 m) coil
- SPX- 100: 100' (30 m) coil

How to Specify/Order:



Spiral Barb Fittings - SB Series

For use in conjunction with Swing Pipe as a flexible swing joint assembly

Features

- Seven models available
- Spiral barb design permits twist-in insertion; eliminates the need for glue or clamps
- Hard Acetal thermoplastic material, for sharper barbs
- Colors: black and gray

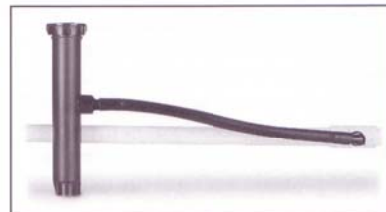
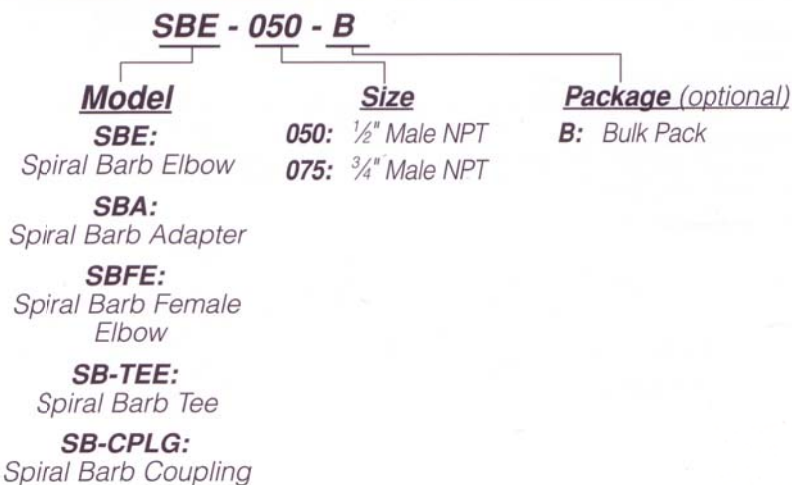
Specifications

- Operating rating of up to 80 psi (5,5 Bars), and 110°F (43°C)

Models

- SBE-050: ½" (15/21) male NPT x .490" barb elbow
- SBE-075: ¾" (20/27) male NPT x .490" barb elbow
- SBA-050: ½" (15/21) male NPT x .490" barb adapter
- SBA-075: ¾" (20/27) male NPT x .490" barb adapter
- SB-TEE: .490" barb x .490" barb tee x.490" barb tee
- SB-CPLG: .490" barb x .490" barb coupling
- SBFE-050: ½" (15/21) female NPT x .490" barb adapter

How to Specify/Order:





Specifications

SP-100, SP-20 and SPX-100 Swing Pipe Tubing

The swing pipe shall be flexible black tubing constructed of virgin linear low density polyethylene material. The tubing shall have a wall thickness of 0.085" for the SP-100 and 0.098" for the SPX-100. It shall have a nominal inside diameter of 0.490" for use with SB Series spiral barb fittings without the necessity of glue or clamps. The model number and logo shall be printed at 12" (30 cm) intervals along the length of the tubing. Each 18" (46 cm) length of tubing shall be capable of pressure testing at the rate of 100 pounds per square inch (psi) per second to a minimum burst pressure of 350 psi (24,1 Bars). The swing pipe shall be capable of 8 gallons per minute (GPM) maximum.

The tubing shall have an operating pressure rating of 80 psi at 110°F (5,5 Bars at 43°C).

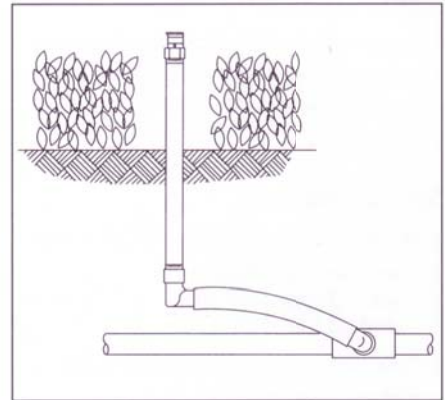
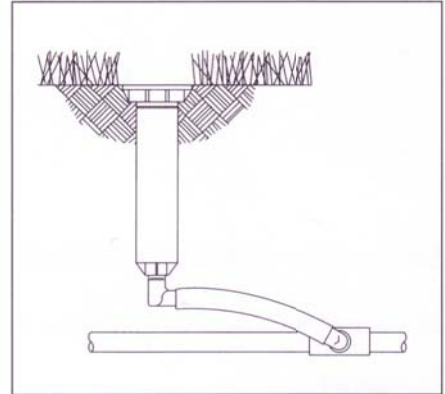
The swing pipe tubing shall be as manufactured by Rain Bird Corporation , Glendora California.

SB Series Spiral Barb Fittings

The spiral barb fittings shall be used in conjunction with swing pipe as a flexible swing joint assembly for 1/2" (15/21) and 3/4" (20/27) inlet sprinklers. The fittings shall have a maximum operating water pressure of 80 psi and 8 GPM.

The spiral barb fittings shall come in seven models to fit various needs. The fittings shall be constructed of Acetal thermoplastic material and be designed so as to permit twist-in insertion, eliminating the need for glue or clamps.

The fittings shall be as manufactured by Rain Bird Corporation , Glendora California.



Rain Bird Corporation

Contractor Division

970 West Sierra Madre Avenue, Azusa, CA 91702

Phone: (626) 963-9311 Fax: (626) 812-3411

Rain Bird Corporation

Commercial Division

6991 East Southpoint Road, Tucson, AZ 85706

Phone: (520) 741-6100 Fax: (520) 741-6522

Rain Bird International, Inc.

145 North Grand Avenue, Glendora, CA 91741

Phone: (626) 963-9311 Fax: (626) 963-4287

Rain Bird Technical Service

(800) 247-3782 (U.S. only)

www.rainbird.com

♻️ Recycled Paper.

Rain Bird. Conserving More Than Water

® Registered Trademark of Rain Bird Corporation

© 2002 Rain Bird Corporation 02/02