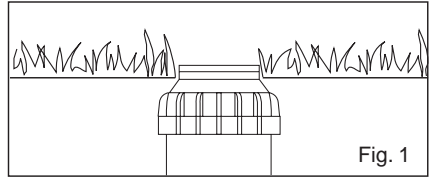


ARC ADJUSTMENT

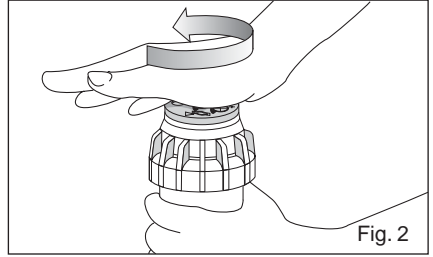
The I-20 Ultra pop-up sprinkler should be installed at finished grade as shown in the illustration (Fig. 1).



Arc Adjustments:

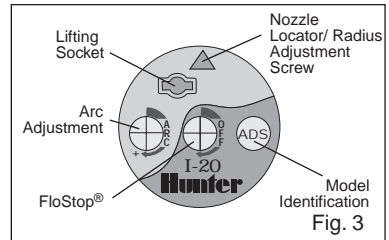
Adjustable heads are preset to approximately 180°. Sprinklers may be adjusted with water on or off. It is recommended that initial adjustments be made before installation.

1. Using the palm of your hand, rotate the nozzle turret counterclockwise to the left stop to complete any interrupted rotation cycle (Fig. 2).
2. Rotate the nozzle turret clockwise to the right stop. This is the fixed side of the arc. The nozzle turret must be held in this position for arc adjustments. The right stop does not change.



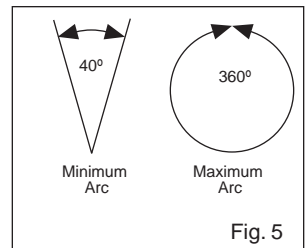
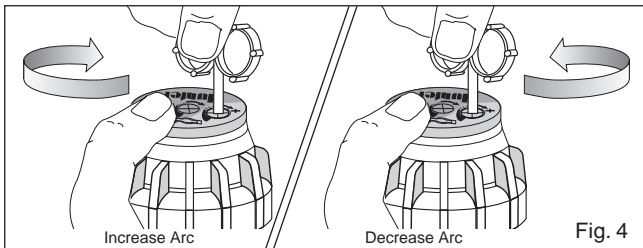
To Increase the Arc:

1. Insert the plastic key end of the Hunter wrench into the adjustment socket (Fig. 3 & 4).
2. While holding the nozzle turret at the right stop, turn the wrench clockwise. Each full 360° turn of the wrench will increase the arc 90°.
3. Adjust to any arc between 40° and 360° (Fig. 5).
4. The wrench will stop turning, or there will be a ratcheting noise, when the maximum arc of 360° (full circle) has been reached.



To Decrease the Arc:

1. Insert the plastic key end of the Hunter wrench into the adjustment socket (Fig. 3 & 4).
2. While holding the nozzle turret at the right stop, turn the wrench counterclockwise. Each full 360° turn of the wrench will decrease the arc 90°.
3. Adjust to any arc between 40° and 360° (Fig. 5).
4. The wrench will stop turning, or there will be a ratcheting noise, when the minimum arc of 40° has been reached.



Note: It is not necessary to disassemble the sprinkler to make adjustments.

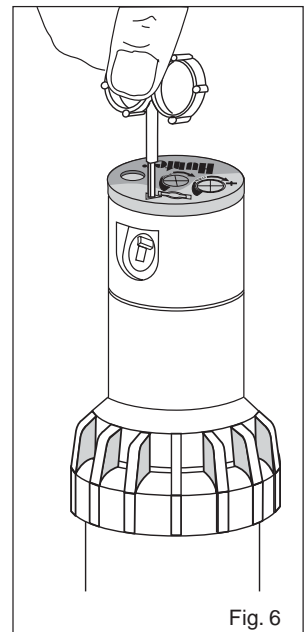
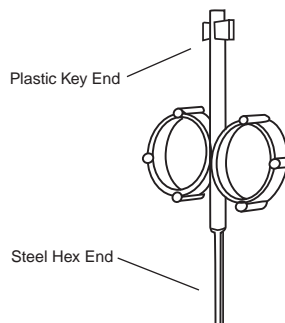
RADIUS / DISTANCE OF THROW

Insert the steel hex end of the Hunter wrench into the radius adjustment screw (Fig. 6). Turn the screw clockwise (into the stream of water) to decrease the radius, or counterclockwise to increase the radius. Radius can be reduced up to 25%.

Caution: Turning the adjustment screw clockwise more than five full turns may result in a lost radius adjustment screw.

PRECIPITATION RATE ADJUSTMENT

If you have excessively wet or dry areas, you can change the nozzle in the sprinkler to increase or decrease the precipitation rate. For dry areas, install a larger nozzle. For wet areas, install a smaller nozzle.



NOZZLE INSTALLATION

1. Insert the plastic key end of the Hunter wrench into the lifting socket of the sprinkler and turn 90°. Pull the riser up to gain access to the nozzle socket (Fig. 8).
2. Using the hex key of the Hunter wrench, turn the radius adjustment screw (Fig. 6) counterclockwise to be sure it is not blocking the nozzle socket opening. If a nozzle is already installed, it can be removed by backing out the adjustment screw and turning on the water, or by pulling outward on the nozzle removal post with a pair of needle-nosed pliers.
3. Slip the desired nozzle into the nozzle socket (Fig. 7). Note that the socket is angled up 25°. Then tighten the nozzle range screw. The triangle on the rubber cover will always indicate the location of the nozzle and direction of water flow when the sprinkler is retracted.

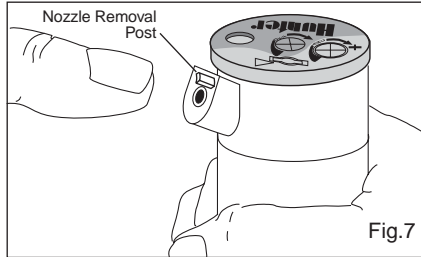


Fig. 7

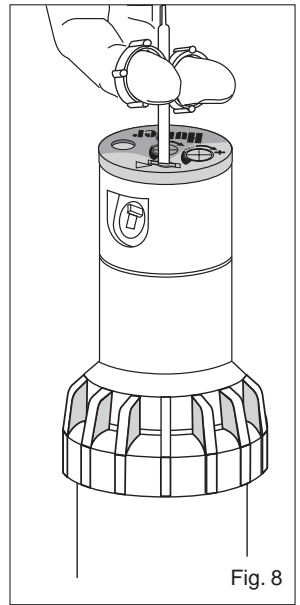


Fig. 8

ALIGNING THE RIGHT (FIXED) SIDE OF ARC

If the right side of the arc is not properly aligned, the results may be a wet walkway or a dry turf area. The right side arc can easily be realigned. One way to realign the right stop is to turn the whole sprinkler body assembly and the fitting below it, left or right to the desired position. This may require temporary removal of the soil around the sprinkler to allow you to grip the sprinkler housing.

Another way to reset the right arc is to unscrew the body cap counterclockwise and remove the internal assembly from the body. Once removed, rotate the nozzle turret to the right stop, screw the internal assembly back into the body with the nozzle aligned to the right side of the area you want irrigated (Fig. 9). At this point you have realigned the right arc stop, and you can adjust the left arc to an appropriate setting.

Note: It is not necessary to dig up and remove the whole sprinkler to realign the right arc.

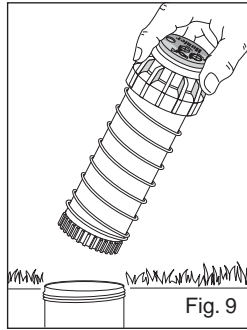


Fig. 9

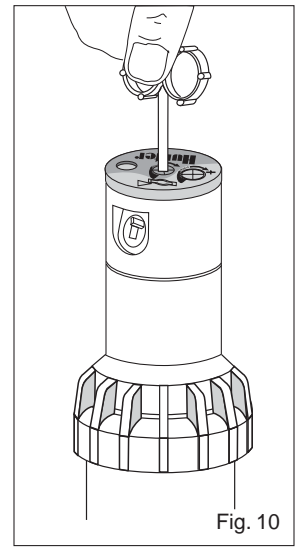


Fig. 10

TURNING FLOW ON OR OFF

Insert the plastic key end of the Hunter wrench into the FloStop® adjustment socket (Fig. 3 & 10). Turn wrench clockwise to decrease or shut off the flow. Turn the wrench counterclockwise to increase the flow.

Standard Nozzles			
Nozzle	PSI	Radius ft.	GPM
1.0	30	30'	.9
	40	31'	1.0
	50	31'	1.2
	60	32'	1.3
1.5	30	32'	1.2
	40	33'	1.4
	50	34'	1.6
2.0	30	34'	1.8
	40	36'	2.0
	50	38'	2.2
3.0	30	36'	2.0
	40	38'	2.4
	50	40'	2.7
3.5	30	36'	2.6
	40	40'	3.0
	50	42'	3.4
4.0	30	37'	3.2
	40	40'	3.7
	50	43'	4.2
6.0	30	35'	4.2
	40	40'	4.9
	50	43'	5.5
8.0	30	44'	6.0
	40	41'	6.0
	50	44'	6.8
	60	45'	7.6
	70	47'	8.2

Low Angle Nozzles			
Nozzle	PSI	Radius ft.	GPM
2.0LA	30	25'	1.6
	40	27'	1.9
	50	28'	2.1
	60	30'	2.3
2.5LA	30	27'	2.1
	40	30'	2.5
	50	33'	2.8
3.5LA	30	29'	2.8
	40	32'	3.1
	50	35'	3.5
4.5LA	30	31'	3.4
	40	34'	3.9
	50	37'	4.4
	60	38'	4.7

Standard Nozzles - Metric				
Nozzle	Pressure Bars	kPa	Radius m	Flow m ³ /hr. l/min
1.0	2,1	206	9,1	0,20 3,4
	2,8	275	9,4	0,23 3,8
	3,4	344	9,4	0,27 4,5
	4,1	413	9,8	0,30 4,9
1.5	2,1	206	9,8	0,27 4,5
	2,8	275	10,1	0,32 5,3
	3,4	344	10,4	0,36 6,1
	4,1	413	10,4	0,41 6,8
2.0	2,1	206	10,4	0,36 6,1
	2,8	275	11,0	0,41 6,8
	3,4	344	11,6	0,45 7,6
	4,1	413	11,6	0,50 8,3
3.0	2,1	206	11,0	0,45 7,6
	2,8	275	11,6	0,55 9,1
	3,4	344	12,2	0,61 10,2
	4,1	413	12,2	0,66 11,0
3.5	2,1	206	11,0	0,59 9,8
	2,8	275	12,2	0,68 11,4
	3,4	344	12,8	0,77 12,9
	4,1	413	12,8	0,84 14,0
4.0	2,1	206	11,3	0,73 12,1
	2,8	275	12,2	0,84 14,0
	3,4	344	13,1	0,95 15,9
	4,1	413	13,4	1,04 17,4
6.0	2,1	206	10,7	0,95 15,9
	2,8	275	12,2	1,11 18,5
	3,4	344	13,1	1,25 20,8
	4,1	413	13,4	1,36 22,7
8.0	2,8	275	12,5	1,36 22,7
	3,4	344	13,4	1,54 25,7
	4,1	413	13,7	1,73 28,8
	4,8	482	14,3	1,86 31,0

Low Angle Nozzles - Metric				
Nozzle	Pressure Bars	kPa	Radius m	Flow m ³ /hr. l/min
2.0LA	2,1	206	7,6	0,36 6,1
	2,8	275	8,2	0,43 7,2
	3,4	344	8,5	0,48 7,9
	4,1	413	9,1	0,52 8,7
2.5LA	2,1	206	8,2	0,48 7,9
	2,8	275	9,1	0,57 9,5
	3,4	344	10,1	0,64 10,6
	4,1	413	10,7	0,68 11,4
3.5LA	2,1	206	8,8	0,64 10,6
	2,8	275	9,8	0,70 11,7
	3,4	344	10,7	0,80 13,2
	4,1	413	11,3	0,86 14,4
4.5LA	2,1	206	9,4	0,77 12,9
	2,8	275	10,4	0,89 14,8
	3,4	344	11,3	1,00 16,7
	4,1	413	11,6	1,07 17,8

Additional "Specialty Use" I-20 nozzles are available from authorized Hunter Distributors. They include a short radius nozzle rack (p/n 466100) which has nozzles for use in the 18'-25' range. There is also a high flow nozzle rack available (p/n 444800) which has nozzles that have larger flows, both in standard and low angle configurations. Performance information can be found in the Hunter products catalog.